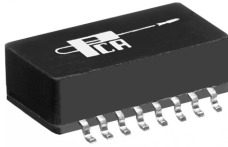


# 10/100Base-TX Interface Module with Enhanced Common Mode Attenuation

## EPF8250S



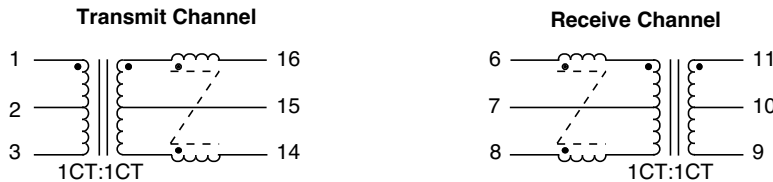
- Recommended for Enable 40C331, Broadcom BCM5201, BCM5202 & Level One LXT970
- Complies with or exceeds IEEE 802.3u & ANSI X3.263 Standards
- Designed to operate from 0°C to +70°C

### Electrical Parameters @ 25° C

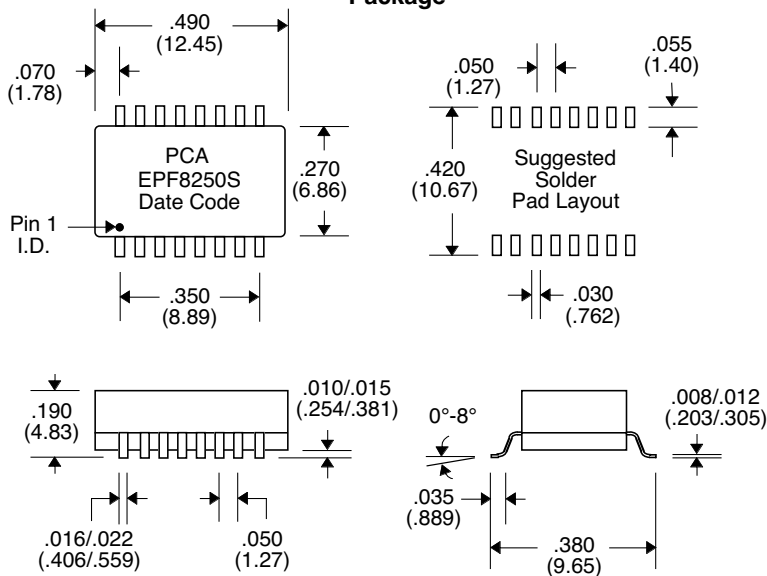
OCL @ 70°C	Insertion Loss (dB Max.)		Return Loss (dB Min.)			Common Mode Rejection (dB Min.)			Crosstalk (dB Min.)
	100 KHz, 0.1 Vrms 8 mA DC Bias	.1-100 MHz	150 MHz	1-30 MHz	60 MHz	100 MHz	1-30 MHz	30-100 MHz	
Cable Side	Xmit/Rcv	Xmit/Rcv	Xmit/Rcv	Xmit/Rcv	Xmit/Rcv	Xmit/Rcv	Xmit/Rcv	Xmit/Rcv	Xmit/Rcv
350 $\mu$ H	-1/-1	-3/-3	-18/-18	-12/-12	-10/-10	-40/-40	-35/-30	-10/-10	-35

• Isolation : 1500 Vrms • Impedance : 100  $\Omega$  • Rise Time : 3.0 nS Max. •

### Schematic



### Package



Unless Otherwise Specified Dimensions are in Inches /mm  $\pm$ .010 / .25